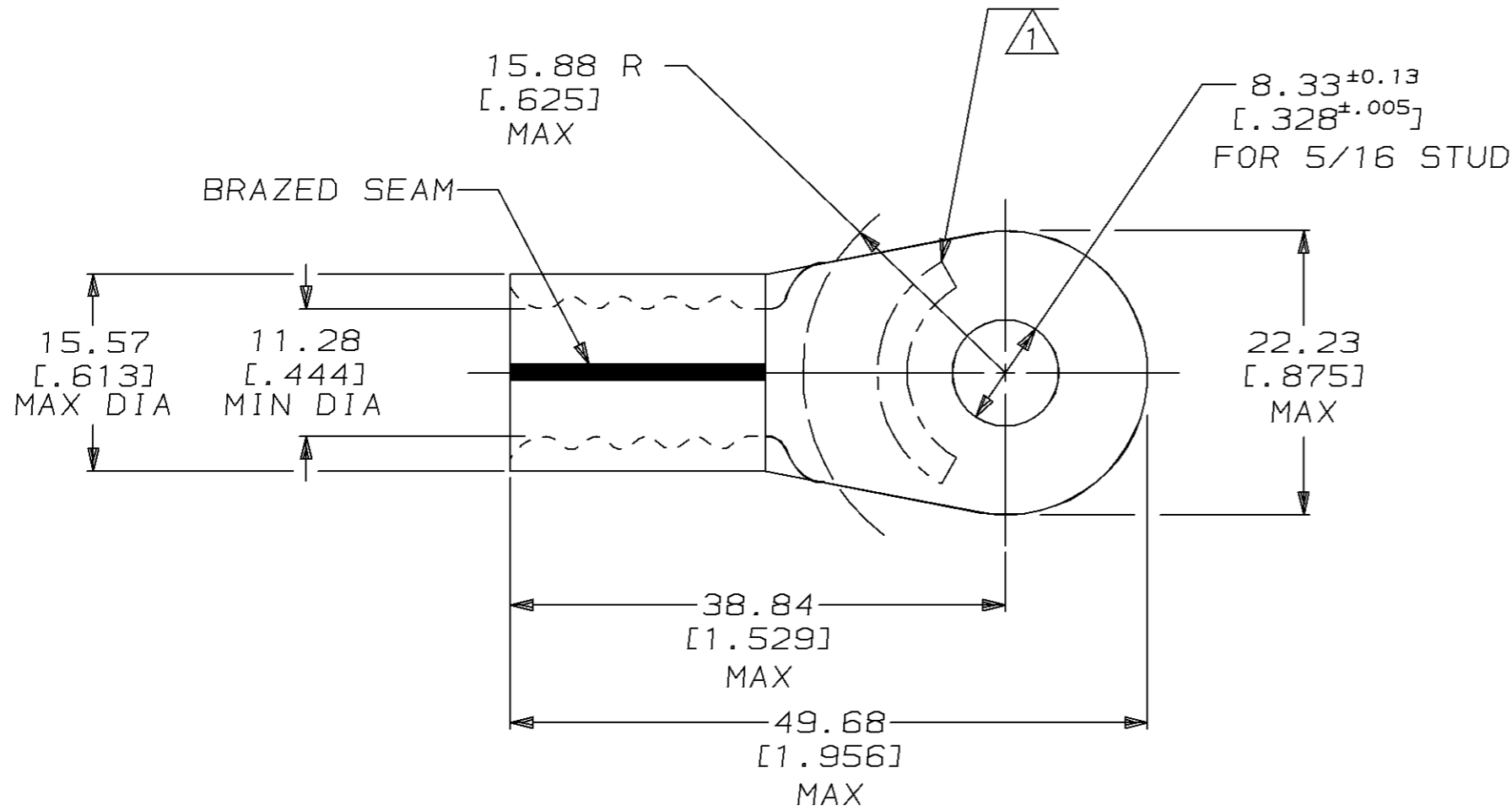


THIS DRAWING IS UNPUBLISHED. RELEASED FOR PUBLICATION, 19
 © COPYRIGHT 19 BY AMP INCORPORATED. ALL INTERNATIONAL RIGHTS RESERVED.

LOC	DIST	P	F	ZONE	LTR	DESCRIPTION	DATE	APPD
G	14				J	REVISED PER 0720-0465-95	03MAR95	OKS RER

AMP PART NO	MATERIAL	PKG TYPE	QTY
8-36916-3	M/F 8-36916-0	BOX	25

METRIC
 DIMENSIONS LISTED IN mm [INCHES]



AMP WIRE RANGE	E13288 Listed
1/0 AWG SOLID OR STRANDED	1/0 AWG SOLID OR STRANDED
LR7189 Certified	MILITARY P/N AND CLASS
1/0 AWG SOLID OR STRANDED	NOT APPLICABLE

- 1 STAMP AMP 1/0W* APPROX AS SHOWN
- 2 MATERIAL THK: 1.78±0.08 [.070±.003]

AMP INCORPORATED CUSTOMER SERVICE SYSTEMS		MAX RECOMMENDED OPERATING TEMPERATURE: 170°C MAX		DO NOT SCALE PRINT, UNLESS SPECIFIED DIMENSIONS IN mm [INCHES] TOLERANCES ON: 2 PLC DEC ± 0.20 [.008] 3 PLC DEC ± - ANGLES ± -		DR 7/2/91 DK SCHRUM CHK 8/15/91 RD HEIM APPD 8/15/91 AJ KAUFMAN APPD 8/15/91 AJ ADELMANN PRODUCT SPEC - APPLICATION SPEC - WEIGHT -		36916 PART NO	
FOR ADDITIONAL PRODUCT INFORMATION OR COPIES OF DRAWINGS AND TECHNICAL DOCUMENTS		PRODUCT INFORMATION CENTER 1-800-522-6752		VOLTAGE RATING: NOT APPLICABLE		AMP AMP Incorporated Harrisburg, PA 17105-3608		NAME TERMINAL, RING TONGUE, SOLISTRAND™	
FOR APPLICATION TOOLING INFORMATION		TOOLING ASSISTANCE CENTER 1-800-722-1111		WIRE CROSS SECTIONAL AREA RANGE: 42.4-60.6mm² [83,700-119,500] CIR MILS SOLID OR STRANDED		MATERIAL COPPER PER ASTM B-152 ANNEALED		SIZE B	
FOR ORDER ENTRY		1-800-526-5142		THIS DRAWING IS A CONTROLLED DOCUMENT FOR AMP INCORPORATED. IT IS SUBJECT TO CHANGE AND THE CONTROLLING ENGINEERING ORGANIZATION SHOULD BE CONTACTED FOR THE LATEST REVISION.		FINISH TIN PLATE 0.00254 [.000100] MIN THK PER MIL-T-10727		CAGE CODE 00779	
								DRAWING NO C-36916	
								SCALE 2:1	
								SHEET 1 OF 1	